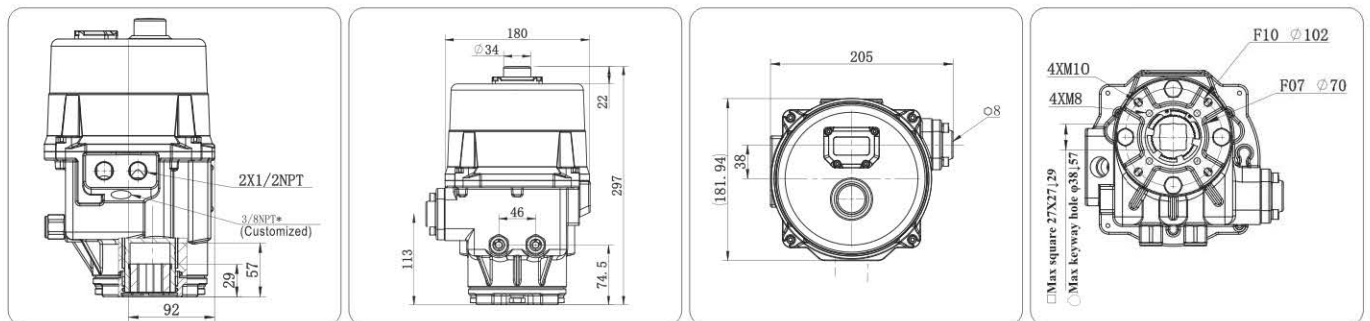


■ EPQ425 General Parameter / Outline Drawing

| | | | | |
|----------------------|--|--|------------------|--------|
| General Parameter | Model | EPQ425 | | |
| | 0~90° Travel Time | ≤5S | | |
| | Motor power | 80W(24V)/100W(AC110V、AC220V) | | |
| | Max Torque | 120N·m | 150N·m | |
| | Voltage | DC24V | AC110V | AC220V |
| | Rated Current(A) | 4.5 | 2.2 | 1.2 |
| | Locked-rotor current(A) | 6.5 | 3.3 | 1.8 |
| | Control Mode | E-Electronic on-off | S-Smart on-off | |
| | Rotation Angle | 0~90° | 0~90~180°/0~270° | |
| | Duty Cycle | 30% | | |
| | Environment Temp. | -13~158°F | -25~70°C | |
| | Weight | 12.2kgs | | |
| | Field Operation Modular | N | Y | |
| | Manual Operation Type | Wrench | | |
| | Protection Grade | IP67/NEMA 4/NEMA4X/NEMA6/NEMA6P | | |
| | Electric Connection | 2*1/2NPT | | |
| | Motor | Brushless DC motor | | |
| | Multi-level protection | Double-level over heat protection(motor/interior actuator)&Over current protection | | |
| | Indicator | 360° Visible indicator / 360° Visible LED indicator | | |
| | Heater | 15W,The heater works when the ambient temperature is lower than 15°C | | |
| Corrosion Protection | Aluminium alloy enclosure with ISO 12944 C03-02 standard powder painting | | | |
| Feedback Signal | Open/Close/Error | 3 programmable relays output feedback signals | | |
| Bus Type | Modbus | | | |
| Optional Function | Bluetooth/IP68 /25°C heater/C05 corrosion protection | | | |

EPQ425



■ EPQ 0~90° ≤5 Sec Quick Open Series General Parameter

| Series | Model | 0~90°Travel time(S) | | Max Torque(N·m) | | Max Torque(in-lb) | |
|--------|--------|---------------------|------------------|-----------------|------------------|-------------------|------------------|
| | | AC/DC24V | AC110V AC220V | AC/DC24V | AC110V AC220V | AC/DC24V | AC110V AC220V |
| EPQ | EPQ115 | ≤5 | ≤5 | 8 | 8 | 71 | 71 |
| | EPQ215 | ≤5 | ≤5 | 23 | 23 | 204 | 204 |
| | EPQ315 | ≤5 | ≤5 | 50 | 50 | 443 | 443 |
| | EPQ415 | ≤5 | ≤5 | 80 | 80 | 708 | 708 |
| | EPQ425 | ≤5 | ≤5 | 120 | 150 | 1062 | 1328 |
| | EPQ515 | / | ≤5 | / | 300 | / | 2655 |
| | EPQ525 | / | ≤5 | / | 400 | / | 3540 |
| | EPQ535 | / | ≤5 | / | 500 | / | 4425 |
| | EPQ545 | / | ≤5 | / | 650 | / | 5753 |

