

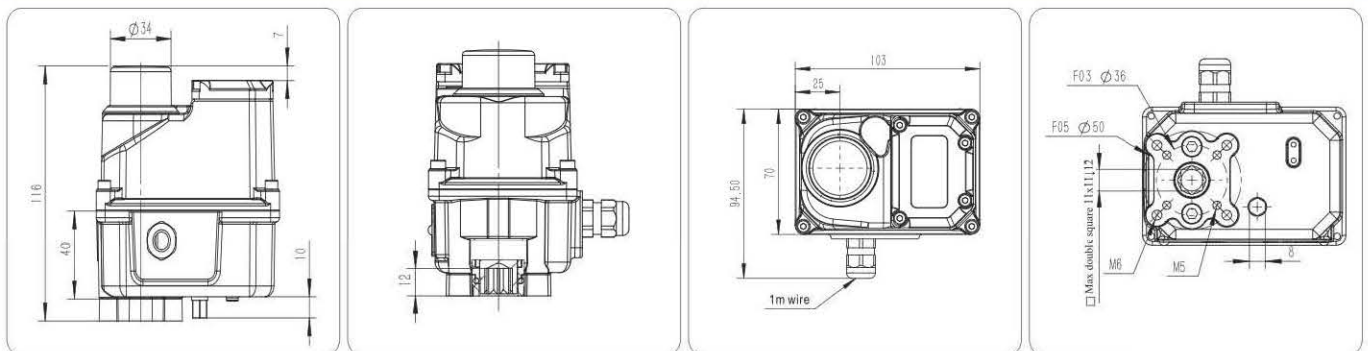
■ EP20 General Parameter / Outline Drawing

General Parameter	0~90° Travel Time (S)	Voltage	Model	P1	P2	P3	
					10N·m	14N·m	20N·m
			24V AC/DC		9	11	15
			110V AC		6	8	11
	220V AC		6	8	11		
	Control Mode	E-Electronic on-off		S-Smart on-off	R-Smart modulating		
	Rotation Angle	0~90°		0~90°~180°/0~270°	0~90°		
	Duty Cycle	S2 100% (15min)			S4 30%		
	Environment Temp.	-13~158°F		-25~70°C			
	Weight	1.4KGS					
	Field Operation Modular	N		Y	Y		
	Manual Operation Type	Wrench					
	Protection Grade	IP67/NEMA 4/NEMA4X/NEMA6/NEMA6P					
	Electric Connection	M18 cable gland with 1m wire					
	Motor	Brushless DC motor					
	Multi-level protection	Double-level over heat protection (motor/interior actuator) & Over current protection					
	Indicator	360° Visible indicator	360° Visible LED indicator	360° Visible indicator			
	Heater	3W, The heater works when the ambient temperature is lower than 15°C					
	Corrosion Protection	Aluminium alloy enclosure with ISO 12944 C03-02 standard powder painting					
	Feedback Signal	Open/Close/Error	3 programmable relays output feedback signals				
	Bus Type	Modbus					
	Optional Function	Bluetooth/IP68/360° Visible LED indicator/25°C heater/C05 corrosion protection					

Modulating type parameter	Regulating Number	Up to 5 million times, 1200 times starts max/hour
	Step Accuracy	0.62%/ 160 steps
	Dead Zone	±0.5% (0.5°)
	Reaction Time	<1S
	Linearity	0.02
	Bus Type	Modbus
	Input Signal	1-5V, 2-10V, 4-20mA
	Output Signal	1-5V, 2-10V, 4-20mA
	Feedback Signal	3 programmable relays output feedback signals

Model	Power	Rated current(A)				Locked-rotor current(A)			
	W	DC24V	AC24V	AC110V	AC220V	DC24V	AC24V	AC110V	AC220V
EP20P1-P3	10	0.7	1	0.32	0.18	1.35	2.25	0.45	0.35

EP20P1-P3



■ EP/EA Series General Parameter

Series	Model	Max Torque(N·m)			Max Torque(in-lb)			0~90°Travel time (S)				
		AC/DC 24V	AC110V AC220V	AC110V AC220V AC380 3PH	AC/DC 24V	AC110V AC220V	AC110V AC220V AC380 3PH	AC/DC 24V	AC110V AC220V	50HZ AC110V AC220V 3PH	60HZ AC110V AC220V 3PH	50HZ AC380 3PH
EP	EP20P1	10	10	/	89	89	/	9	6	/	/	/
	EP20P2	14	14	/	124	124	/	11	8	/	/	/
	EP20P3	20	20	/	177	177	/	15	11	/	/	/
	EP50P1	35	35	/	310	310	/	11	8	/	/	/
	EP50P2	50	50	/	443	443	/	14	12	/	/	/
	EP100P1	80	80	/	708	708	/	20	16	/	/	/
	EP100P2	100	100	/	885	885	/	27	18	/	/	/
	EP200P1	150	150	/	1328	1328	/	22	8	/	/	/
	EP200P2	200	200	/	1770	1770	/	31	10.5	/	/	/
	EP200P3	250	250	/	2213	2213	/	35	13	/	/	/
	EP200P4	/	300	/	/	2655	/	/	15	/	/	/
	EP200P5	/	400	/	/	3540	/	/	17	/	/	/
	EP500P1	/	300	/	/	2655	/	/	14	/	/	/
	EP500P2	/	400	/	/	3540	/	/	16	/	/	/
	EP500P3	/	500	/	/	4425	/	/	19	/	/	/
	EP500P4	/	650	/	/	5753	/	/	22	/	/	/
	EP500P5	/	800	/	/	7080	/	/	27	/	/	/
EA	EA200P1	/	/	150	/	/	1328	/	/	30	25	30
	EA200P2	/	/	200	/	/	1770	/	/	30	36	36
	EA500P1	/	/	300	/	/	2655	/	/	19	23	23
	EA500P2	/	/	400	/	/	3540	/	/	25	30	30
	EA500P3	/	/	500	/	/	4425	/	/	30	35	35

Note: 1.The motor for EP series is Brushless DC motor and for EA series is AC asynchronous motor.
2.The travel time for 60Hz is 1.2 times faster than 50Hz.

